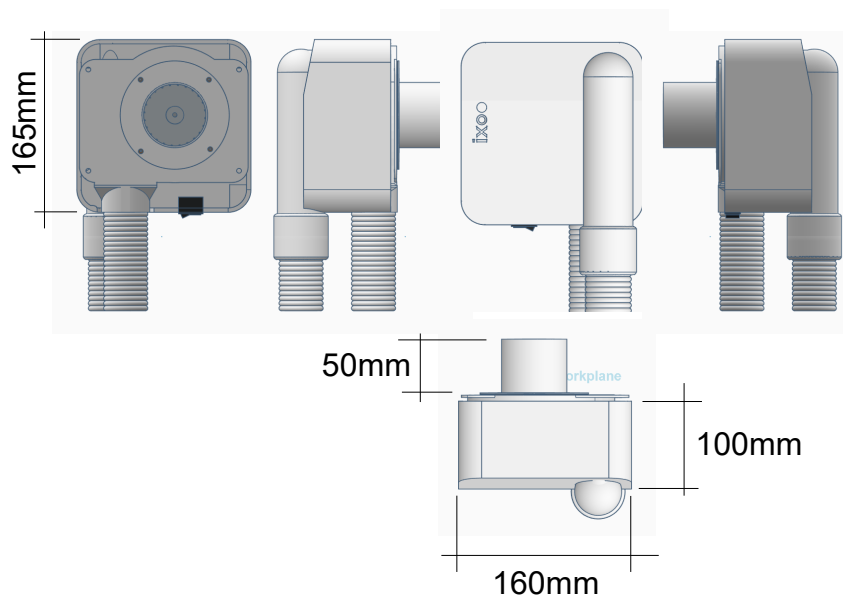




Technical data



Denomination	ixoo v.4.0
Release date	January 2020
Colors	white, stone, metallic silver, pearl gray, pearl cooper ans sapphire blue
Exterior body&handle	ABS
Hose	TPU – strech ratio 1:4 (500 mm to 2000 mm)
Interior body	Polyamida PA12+20%GF
Impeller	Aluminium – 36 blades – 85 mm diameter
Motor	Magnetic brushed 12v 2,5A
rpm	5500
Working max. Temp.	90° C – 194° F
Dimensions	Width 160 mm – height 165 mm – depth 100 mm
Weigt	1275 gr
Packaging size	330 x 170 x 140mm(1524gr.)



ixoo solutions barcelona Ltd. co.

C/ Apel·les Mestres 4 – 6 , 08160-Montmeló (Barcelona) NIF: B67324871
 Tel: +34607142393 [Wwww.ixoo-barcelona.com](http://www.ixoo-barcelona.com) manager@ixoo-barcelona.com